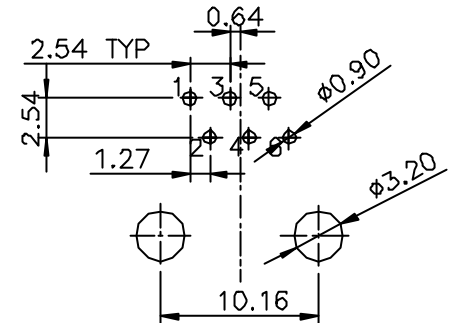
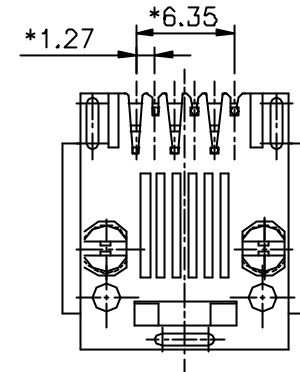
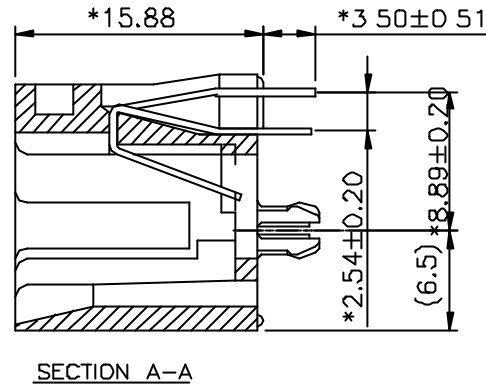
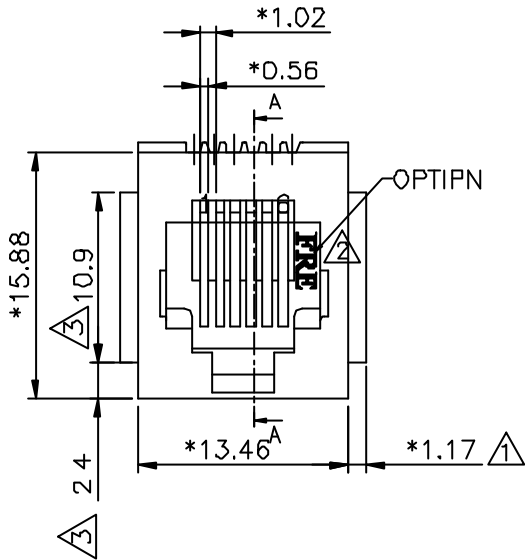


REVISION RECORD				
REV	EDC	DESCRIPTION	DRFT	CHKD
△		DRAWING MODIFY	SAMMY 07/22/02	
△		DRAWING MODIFY	YUSUK 12/08/02	



NOTES:

ELECTRICAL:

1. VOLTAGE RATING : 125 VAC RMS MIN.
2. CURRENT RATING : 1.5 AMP MIN.
3. CONTACT RESISTANCE : 30 MILLIOHMS MAX.
4. INSULATION RESISTANCE: 1000 MEGOHMS MIN @ 500 VDC.
5. DIELECTRIC STRENGTH : 1000 VAC RMS 60Hz, 1MIN.

MECHANICAL:

1. HOUSING MATERIAL : GLASS FILLED POLYESTER UL94V-0.
2. CONTACT MATERIAL : PHOSPHOR BRONZE $\phi=0.46$ mm
3. PLATING : 1: CONTACT AREA- SELECTIVE GOLD PLATING.
2: TAILS- 150u" TIN-LEAD MIN OVER 50u" NICKEL
4. OPERATING LIFE : 750 CYCLES MIN.
5. PCB RETENTION PRE-SOLDER : 1 LB MIN.
6. PCB RETENTION POST-SOLDER: 10 LBS MIN.

ENVIRONMENTAL:

1. STORAGE : -40°C TO +85°C.
2. OPERATION: 0°C TO 70°C.

MATES WITH MODULAR PLUG CONFORMING TO
FCC PART 68, SUBPART F.
CUL FILE NO. E163191
PART NUMBER: E526X-E00XXX

- | | | |
|---------------------------|---------------|-----------------------------|
| 0-A06-0100 BK | 2- 2 CONTACTS | 1- 3u" 2- 6u" 3-15u" |
| L-A06-0100 BK W/ FRE LOGO | 4- 4 CONTACTS | 4-30u" 5-50u" 6-Pd20u" |
| | 6- 6 CONTACTS | 3-W/ PANEL STOP SPLIT FOOT |
| | | 4-W/O PANEL STOP SPLIT FOOT |

DIMENSIONAL TOLERANCES	MM (INCR)	DFTD YJK	DATE 6/11/99
	TOLERANCES EXCEPT AS NOTED	CHKD SAMMY	DATE 2003/06/10
	MM	MFO	DATE
	0 ± 0.2	APPLV. CZH	DATE 2003/06/10
	0.00 ± 0.075		
ANGLES ±	QT'Y :	MATERIAL :	
THIRD ANGLE PROJECTION	FINISH :		
	SCALE : 3:1	DO NOT SCALE DRAWING	

FULL RISE ELECTRONIC CO., LTD			
TITLE			
TOP ENTRY PCB JACK			
DRAWING NO. GE523027		SIZE A3	REV 3
/PART NO SEE NOTE		SHEET OF	